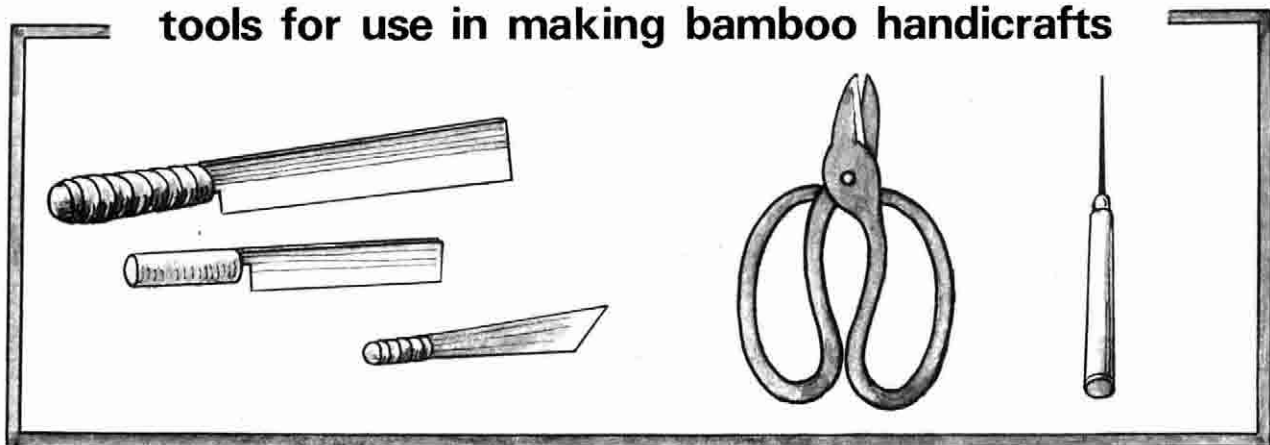
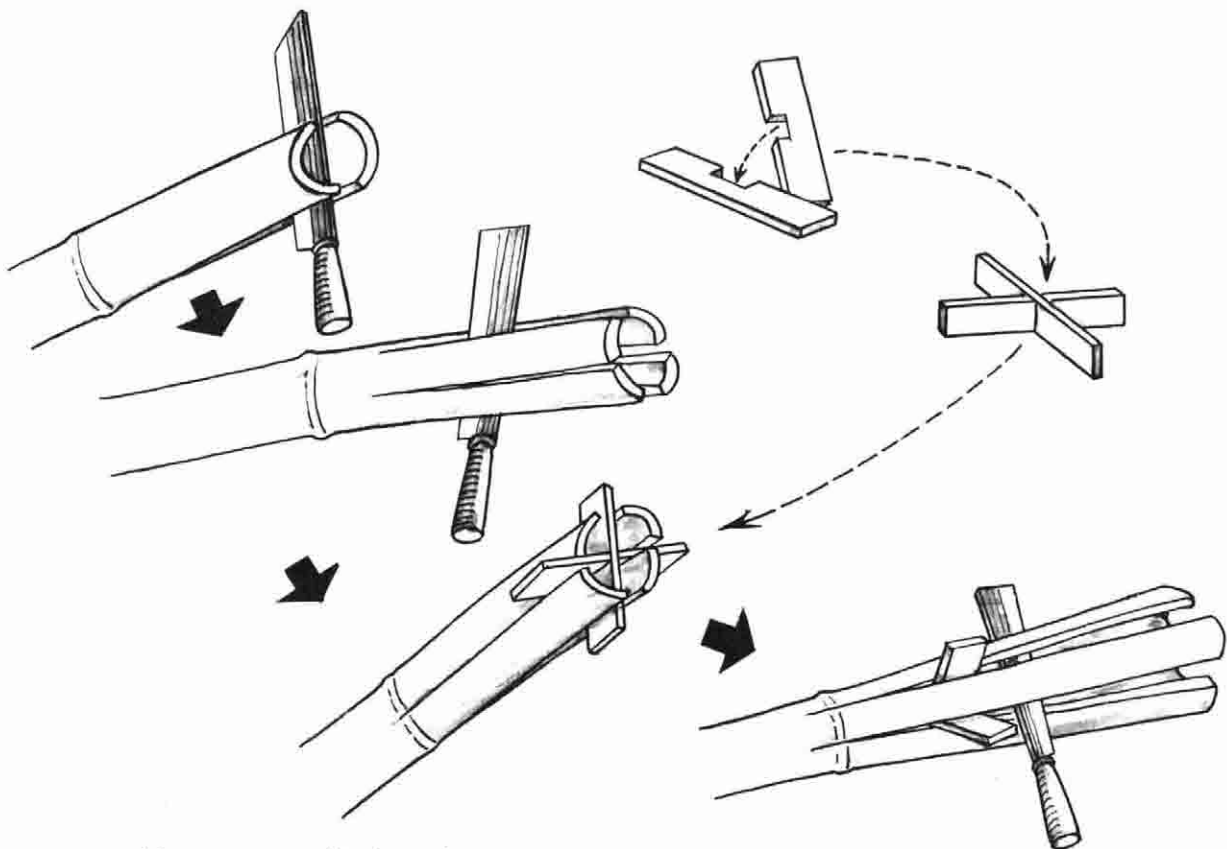


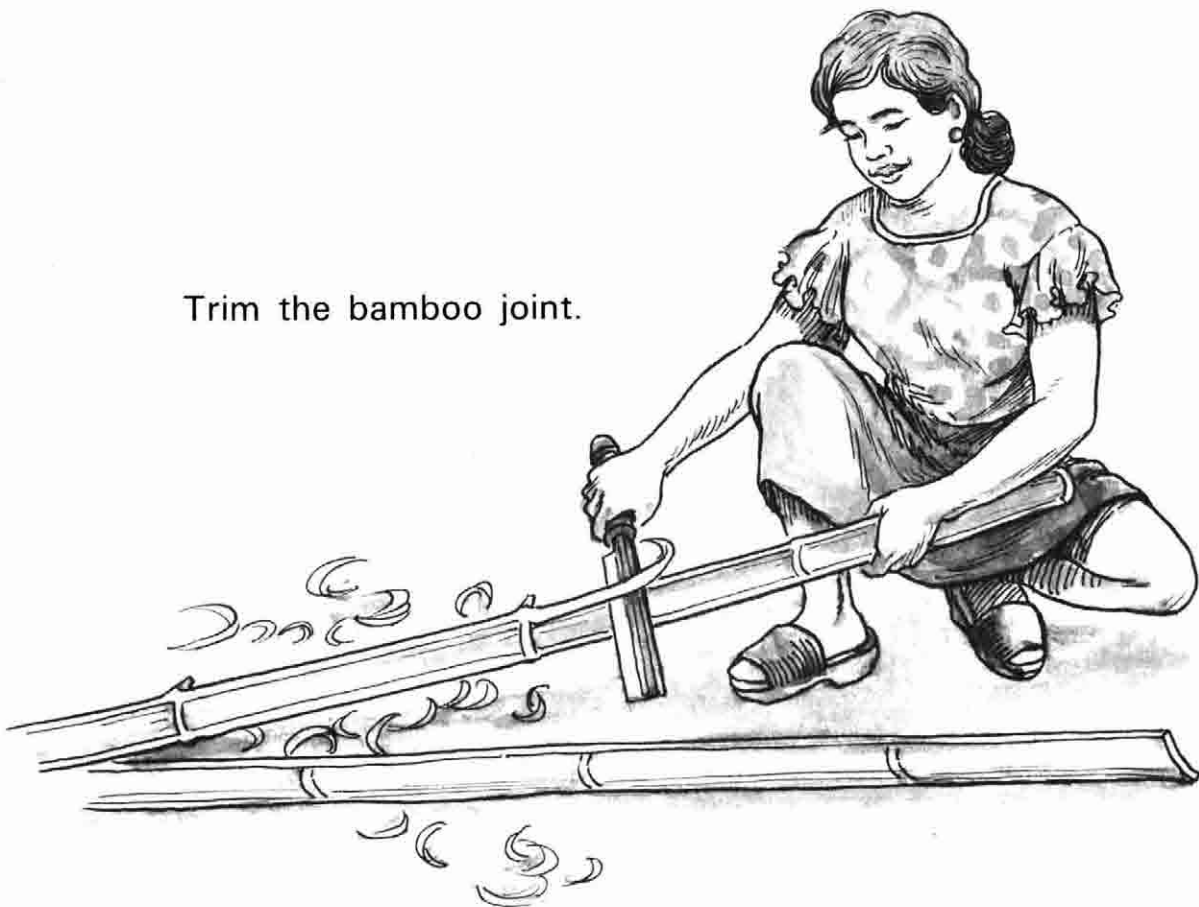
**tools for use in making bamboo handicrafts**

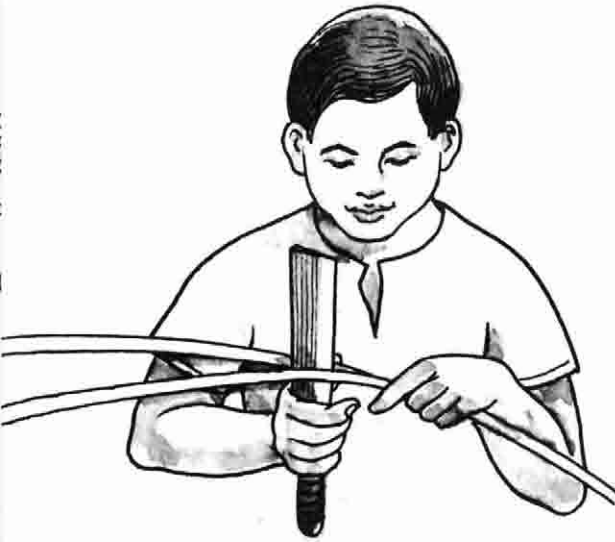




How to split bamboo  
into 4 lengths at once.

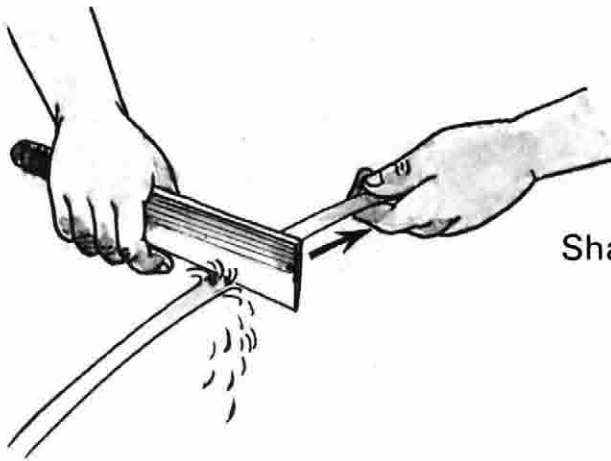
Trim the bamboo joint.





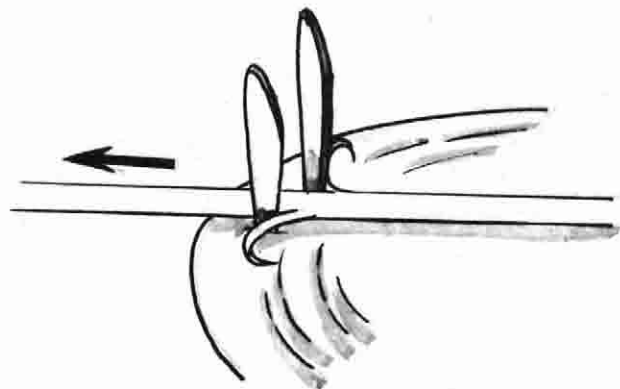
Let us prepare bamboo strips for weaving baskets.

Further split bamboo lengths with a smaller tool.



Shave off rough surfaces.

Pass strips between two blades to make them of uniform width.



Shave strips to make them thinner and to make their surface smooth.



On the day before you weave baskets, soak the strips in water about 10 hours to make them more flexible.

